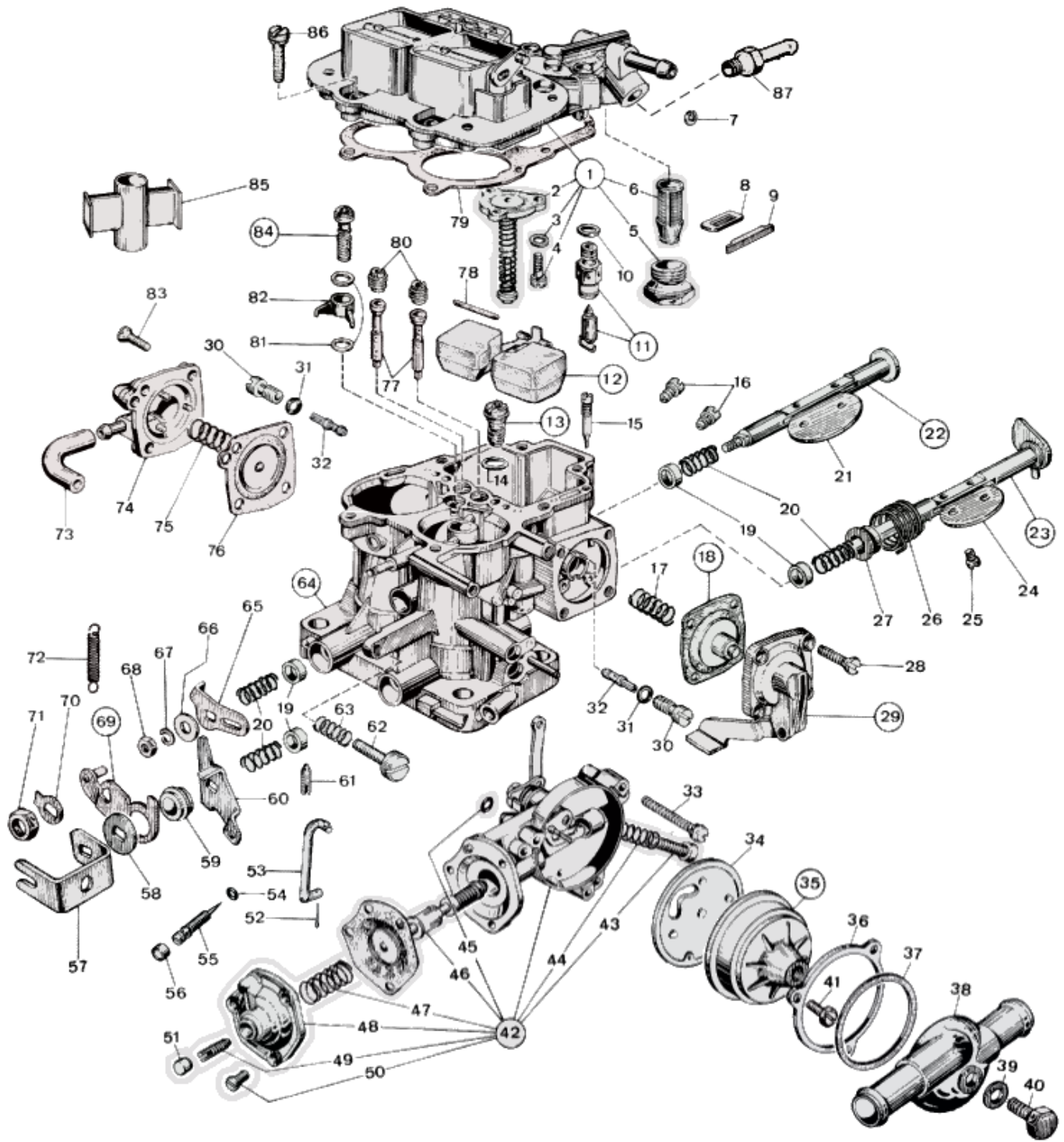


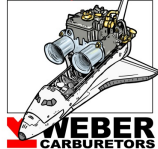


WEBER 32/36 DGAV 4 - exploded view



<https://www.carbparts.eu>

Prices and product availability are subject to change



CarbDeal

Selling carburetor parts since 2005



WEBER 32/36 DGAV 4 - Parts list

No	Part No	Price	Pcs	Description	No	Part No	Price	Pcs	Description
1	31716.711	\$ 0	1	TOP COVER ASSY including:	45	41565.008	\$ 0.9	1	— Auto-choke body « 0 » ring seal
2	57804.123	\$ 0	1	— Power valve diaphragm	46	47407.162	\$ 33.6	1	— Choke diaphragm
3	55510.038	\$ 0	3	— Washer	47	47600.141	\$ 7.5	1	— Diaphragm loading spring
4	64700.007	\$ 0	3	— Power valve fixing screw	48	32384.045	\$ 0	1	— Diaphragm cover
5	61002.018	\$ 9	1	— Strainer inspection plug	49	64595.022	\$ 0	1	— Diaphragm adjusting screw
6	37022.002	\$ 5.8	1	— Strainer	50	64560.004	\$ 0	3	— Diaphragm cover fixing screw
7	10140.501	\$ 1.1	1	Lock ring	51	61075.011	\$ 0	1	Screw plug
8	52135.018	\$ 3.3	1	Dust seal plate	52	32610.005	\$ 0.9	1	Split pin
9	61070.002	\$ 3.3	1	Dust seal plug	53	61280.082	\$ 8.5	1	Fast idle control rod
10	83102.070	\$ 1.1	1	Needle valve gasket	54	41565.010	\$ 0	1	Idle mixture screw « 0 » ring seal
11	79516.200	\$ 8.6	1	Needle valve	55	64750.051	\$ 8.2	1	Idle mixture adjusting screw
12	41030.020	\$ 14	1	Float	56	61075.013	\$ 4.2	1	Idle mixture tamper proof plug
13	64235.016	\$ 34.7	1	Full power needle valve	57	45136.029	\$ 10.8	1	Main lever
14	41530.013	\$ 0	1	Full power valve gasket	58	55510.061	\$ 1.3	1	Spacer
15	64900.001	\$ 9	1	Pump discharge blanking screw	59	12765.002	\$ 0	1	Free lever bush
16	73801.140	\$ 3.3	1	Secondary main jet	60	45046.016	\$ 0	1	Throttle valve control lever
16	73801.132	\$ 3.9	1	Primary main jet	61	64595.005	\$ 6.2	1	Secondary throttle adjusting screw
17	47600.092	\$ 0	1	Pump loading screw	62	64585.007	\$ 0	1	Primary throttle adjusting screw
18	47407.048	\$ 9	1	Pump diaphragm	63	47600.007	\$ 2.5	1	Primary throttle adjusting screw spring
19	12750.085	\$ 3.1	4	Shaft retaining bush	64		\$ 0	1	Main body
20	47600.027	\$ 0	4	Bush retaining spring	65	45032.124	\$ 7	1	Secondary throttle control lever
21	64005.034	\$ 17.7	1	Secondary throttle valve	66	55510.046	\$ 1	1	Washer
22	10015.492	\$ 0	1	Secondary main shaft	67	55525.001	\$ 0	1	Spring washer
23	10015.493	\$ 0	1	Primary main shaft	68	34705.001	\$ 0.8	1	Secondary shaft fixing nut
24	64005.090	\$ 17.7	1	Primary throttle valve	69	45069.011	\$ 0	1	Free lever
25	64520.023	\$ 1.9	4	Throttle valve fixing screw	70	55520.002	\$ 1.1	1	Primary shaft lock washer
26	47610.079	\$ 3.4	1	Primary main shaft return spring	71	34715.014	\$ 1.1	1	Primary shaft fixing nut
27	12765.047	\$ 0	1	Spacer	72	45605.010	\$ 0	1	Free lever return spring
28	64565.001	\$ 0	4	Pump cover fixing screw	73	61400.022	\$ 0	1	Pneumatic pump connecting pipe
29	32486.076	\$ 0	1	Pump cover	74	32486.075	\$ 33.8	1	Pneumatic pump cover
30	52570.006	\$ 7.2	2	Idle jet holder	75	47600.233	\$ 0	1	Pneumatic pump loading spring
31	41565.002	\$ 0.4	1	Idle jet holder « 0 » Ring seal	76	47407.115	\$ 9	1	Pneumatic pump diaphragm
32	74403.045	\$ 3.3	1	Secondary idle jet	77	61440.220	\$ 9	1	Secondary emulsion tube
32	74403.045	\$ 3.3	1	Primary idle jet	77	61440.220	\$ 9	1	Primary emulsion tube
33	64700.008	\$ 3.8	3	Auto-choke body fixing screw	78	52000.015	\$ 1.2	1	Float pivot
34	41640.052	\$ 3.3	1	Heat seal gasket	79	41705.040	\$ 3	1	Top cover gasket
35	57804.138	\$ 0	1	Thermostat housing	80	77201.125	\$ 3.3	1	Secondary air correction jet
36	52135.006	\$ 4.5	1	Thermostat housing locking ring	80	77201.175	\$ 3.3	1	Primary air correction jet
37	41555.001	\$ 0.4	1	Water cover seal gasket	81	41530.012	\$ 0	2	Pump jet gasket
38	32444.005	\$ 38.1	1	Water cover	82	76212.045	\$ 12.6	1	Pump jet
39	41530.002	\$ 1.2	1	Water cover screw gasket	83	64565.001	\$ 0	4	Pneumatic pump cover fixing screw
40	64610.014	\$ 4.4	1	Water cover fixing screw	84	64290.017	\$ 0	1	Pump delivery valve
41	64615.005	\$ 0	3	Lock ring fixing screw	85	70936.450	\$ 0	1	Secondary auxiliary venturi
42	57804.265	\$ 25	1	AUTO-CHOKE ASSY including:	85	70936.350	\$ 0	1	Primary auxiliary venturi
43	64590.004	\$ 5.3	1	— Fast idle lever adjusting screw	86	64700.001	\$ 5	6	Top cover fixing screw
44	47600.007	\$ 2.5	1	— Spring	87	10525.023	\$ 2.9	3	Inlet pipe

<https://www.carbparts.eu>

Prices and product availability are subject to change

